



Swing and sliding gate operators

Secure motion at the push of a button

Meaning of the symbols



The bi-directional radio system allows active communication between the transmitter and receiver.



Maximum protection from hackers with 128 bit AES encryption with Rollingcode.



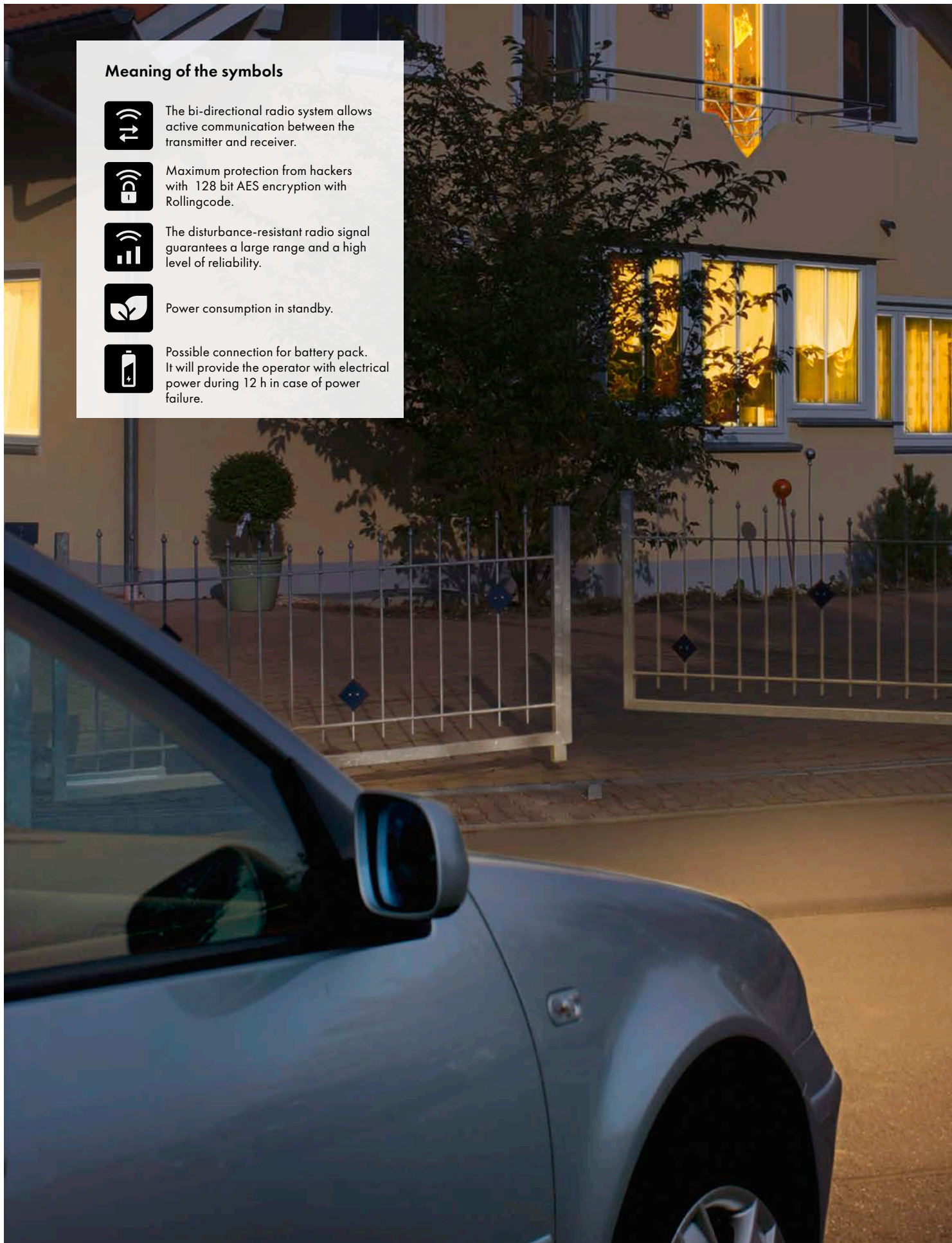
The disturbance-resistant radio signal guarantees a large range and a high level of reliability.



Power consumption in standby.



Possible connection for battery pack. It will provide the operator with electrical power during 12 h in case of power failure.





WE DELIVER THE QUALITY – YOU ENJOY THE CONVENIENCE!

With reliable gate operators from SOMMER, you can be assured of durability for years to come. This is not only because of their high quality and

easy operation, but also because they are meticulously crafted and certified, which allows you to find the perfect operator for you.

MADE IN GERMANY



3

YOUR SAFETY WILL ALWAYS BE WHAT DRIVES US

Safety and accident prevention are SOMMER's highest priorities. Our operators are equipped with dependable technology that complies with applicable standards.

Automatic obstacle recognition guarantees optimal protection. The operator reverses (reversion)

if an obstacle is encountered; ensuring that people, animals or vehicles will not be trapped.

The easy-to-use SOMMER emergency release system complete with the necessary key allows you to manually open (release) and close (lock) the gate in any position.

The self-locking motor offers effective protection against break-in or unauthorised access. Even in the event of a power failure, your swing or sliding gate is securely locked (closed).

All of these components offer you optimum security in any eventuality.

SWING GATE OPERATORS:
GET INTO **THE**
SWING OF THINGS
WITH OPERATORS
THAT OFFER YOU
THE VERY BEST

4



[EASY AND STRESS-FREE OPERATION]
ROBUST, LONG-LASTING AND
MAINTENANCE-FREE

The operators are ideal for both private and commercial use and are suitable for operating gates with a gate wing weight of up to 1100 kg or a gate wing width of 7 m.



twist 200 E

For swing gates with a gate wing¹⁾ width of up to 2.5 m or a gate wing weight of 300 kg²⁾



6

- twist operators can be fitted either to the left or right gate wing, creating a seamless combination
- Suitable for outwards-opening gates
- Fast installation and easy electrical connection
- User-friendly control with numerous settings configurations
- Improved accident prevention by means of electronically regulated force measurement with DPS – Dynamic Power System
- Self-locking, without additional electric lock up to 1,5 m
- Operator is easy to release manually in any position, e.g. in the event of a power failure
- Includes a stainless-steel precision spindle and drive shaft
- Rust-proof housing made from aluminium and fibre-glass reinforced, weather-resistant plastic
- Maintenance-free operator with long service life
- Optional safety facilities can be integrated effortlessly, e.g. warning light, light barrier or electric lock

TECHNICAL DATA

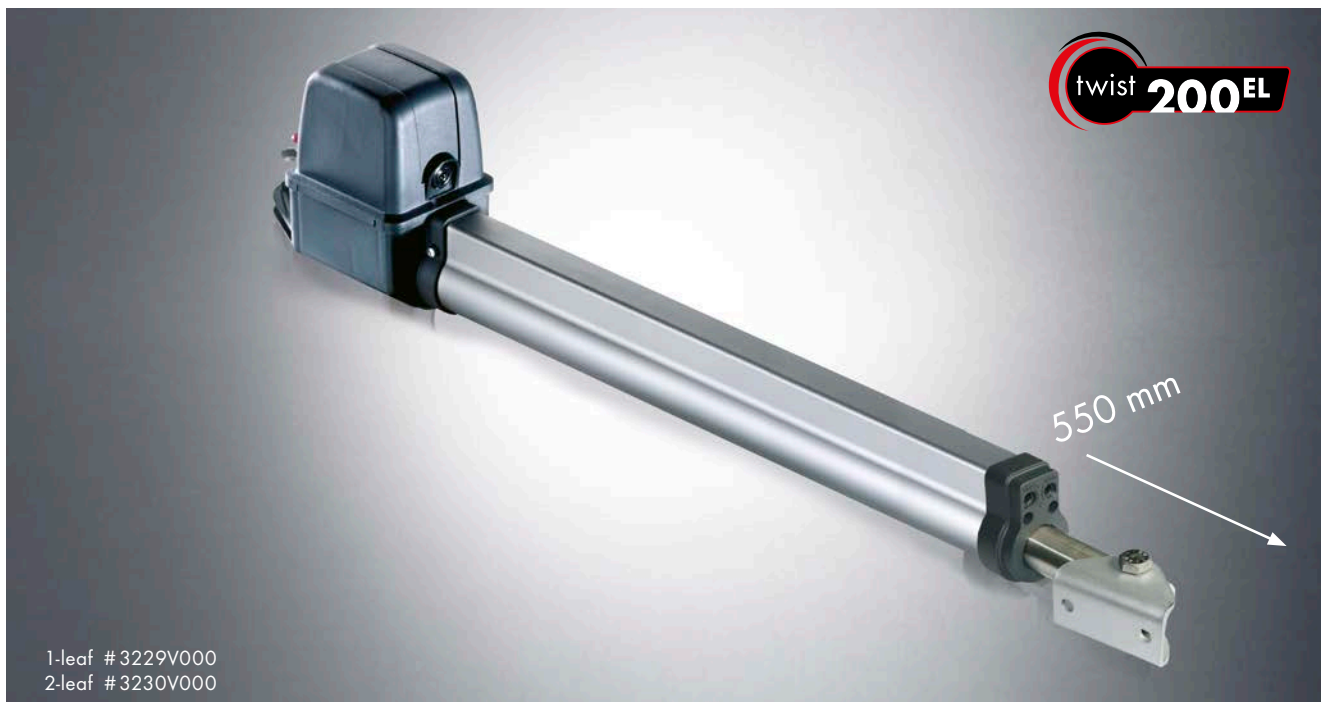
Radio system	Somloq Rollingcode
Temperature range	-30°C to +70°C
Nominal voltage	AC 220 - 240 V
Lift (per operator)	390 mm
Nominal frequency	50/60 Hz
IP code	IP44

THE EFFICIENT SWING GATE OPERATOR

REGULATED SOFT RUN IN RAMP FORM WITHOUT POWER LOSS; SMOOTH AND NOISE-FREE MOVEMENT

twist 200 EL

For swing gates with a gate wing¹⁾ width of up to 2.5 m or a gate wing weight of 300 kg²⁾

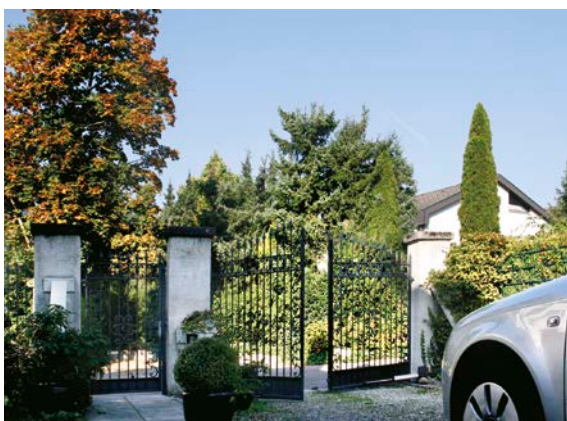


Additional special features for longer travel lengths

- Operator can also be fitted to very wide, brick posts without removing them beforehand
- Supports an opening angle of up to 130°
- Maintenance-free operator with long service life
- Easily accessible emergency release
- Optional safety facilities can be integrated effortlessly, e.g. warning light, light barrier or electric lock

TECHNICAL DATA

Radio system	Somloq Rollingcode
Temperature range	-30°C to +70°C
Nominal voltage	AC 220 - 240 V
Lift (per operator)	550 mm
Nominal frequency	50/60 Hz
IP code	IP44



1) with a max. weight of 200 kg per leaf. 2) with a max. width of 1.5 m per leaf.

twist 350

For swing gates with a gate wing width¹⁾ of up to 4 m or a gate wing weight²⁾ of 700 kg



8

- twist operators can be fitted either to the left or right gate wing, creating a seamless combination
- Suitable for outwards-opening gates
- The braking system developed and patented by SOMMER makes for a highly reliable operator – even under extreme loads of up to 2 tonnes, e.g. wind load or as protection against break-ins and vandalism
- Fast installation and easy electrical connection
- Dependable control with numerous settings configurations
- Improved accident prevention by means of electronically regulated force measurement with DPS – Dynamic Power System
- Self-locking, without additional electric lock up to 3,5 m
- Operator can be released manually in any position, e.g. in the event of a power failure
- Regulated soft run without power loss
- Includes a stainless-steel precision spindle and drive shaft
- Rust-proof housing made from aluminium and fibre-glass reinforced, weather-resistant plastic
- Maintenance-free operator with long service life
- Optional safety facilities can be integrated effortlessly, e.g. warning light, light barrier or electric lock

TECHNICAL DATA

Radio system	Somloq Rollingcode
Temperature range	-30°C to +70°C
Nominal voltage	AC 220 - 240 V
Lift (per operator)	450 mm
Nominal frequency	50/60 Hz
IP code	IP44



Safe and convenient emergency release system

twist XL

For swing gates with a gate wing width¹⁾ of up to 7 m or a gate wing weight²⁾ of 1100 kg



10

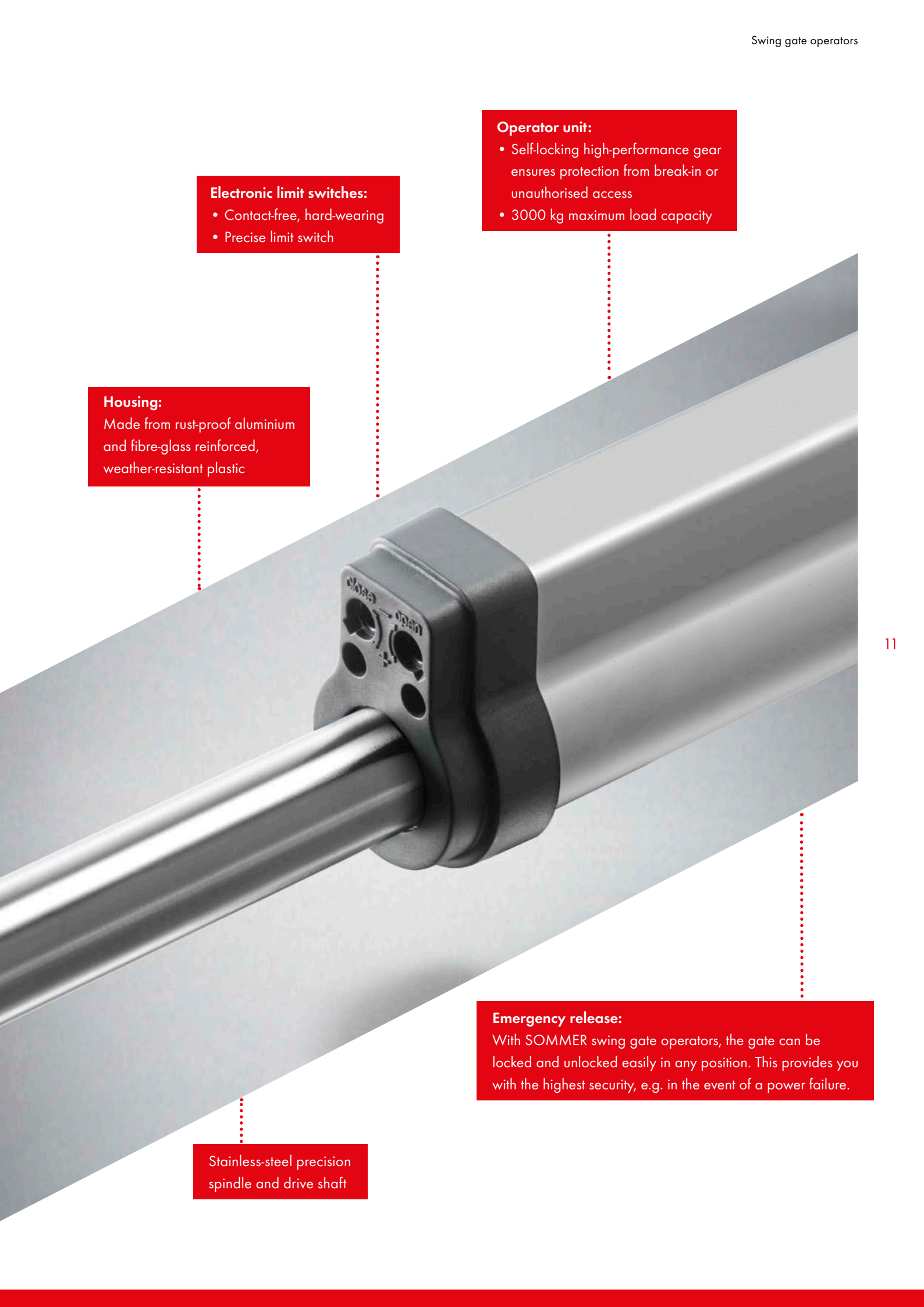
- twist operators can be fitted either to the left or right gate wing, creating a seamless combination
- Suitable for outwards-opening gates
- Can be used for closed gate/door fillings
- The braking system developed and patented by SOMMER makes for a highly reliable operator – even under extreme loads of up to 3 tonnes, e.g. wind load or as protection against break-ins and vandalism
- Smooth Movement
- Improved accident prevention by means of electronically regulated force measurement with DPS – Dynamic Power System
- Maintenance-free operator with long service life
- Easily accessible emergency release
- Optional safety facilities can be integrated effortlessly, e.g. warning light, light barrier or electric lock

TECHNICAL DATA

Radio system	Somloq Rollingcode
Temperature range	-25°C to +70°C
Nominal voltage	AC 220 - 240 V
Lift (per operator)	450 mm
Nominal frequency	50/60 Hz
IP code	IP44

A SUPER-STRENGTH SWING GATE OPERATOR

REGULATED SOFT RUN IN RAMP FORM WITHOUT POWER LOSS;
SMOOTH AND NOISE-FREE MOVEMENT



Electronic limit switches:

- Contact-free, hard-wearing
- Precise limit switch

Operator unit:

- Self-locking high-performance gear ensures protection from break-in or unauthorised access
- 3000 kg maximum load capacity

Housing:

Made from rust-proof aluminium and fibre-glass reinforced, weather-resistant plastic

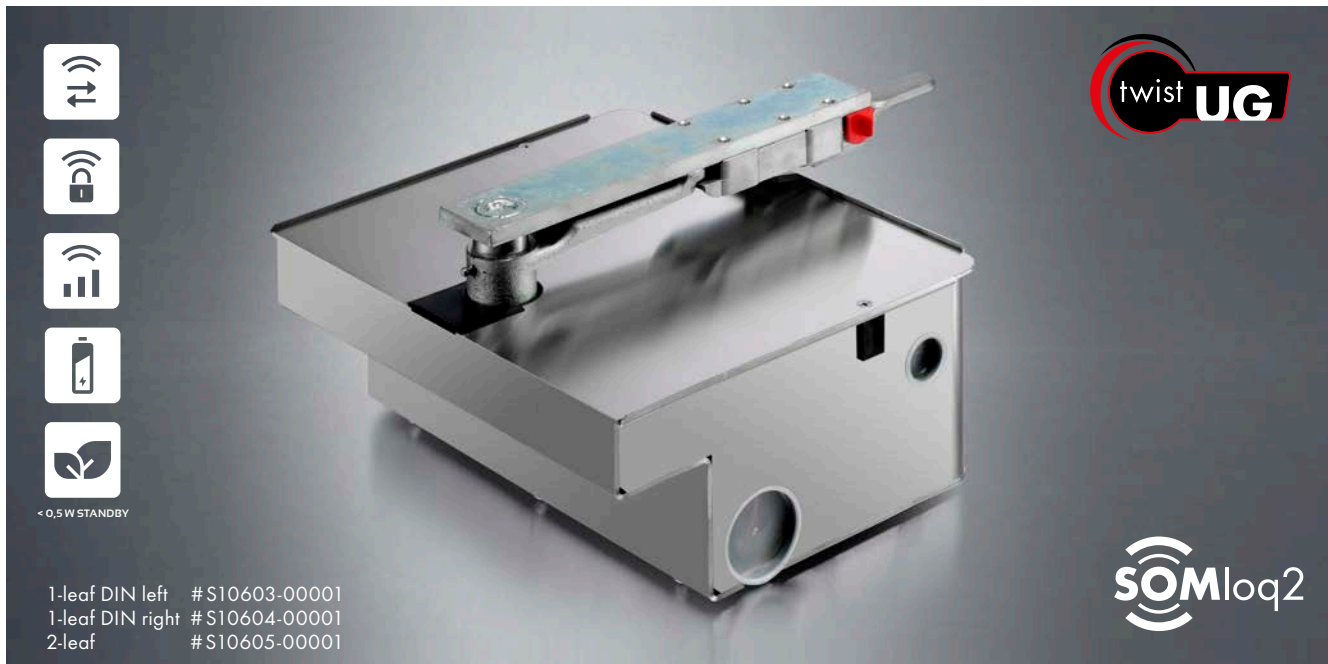
Stainless-steel precision spindle and drive shaft

Emergency release:

With SOMMER swing gate operators, the gate can be locked and unlocked easily in any position. This provides you with the highest security, e.g. in the event of a power failure.

twist UG

For swing gates with a gate wing width of up to max. 3,5 m and a gate wing weight of max. 350 kg¹⁾



12

- Bi-directional SOMloq2 radio system
- Single- and dual-wing operation
- Ideal for swing gates in which the operator should not be visible
- Certified restriction of closing forces acc. to EN 12445 by electronic motor monitoring
- Automatic closing function (semi-/fully-automatic, shortening after drive-through)
- High-quality DC gear motor with hall sensor
- Power saving (standby < 0,5 W)
- Mechanical emergency release, lockable
- Can be unlocked in any position, e.g. power failure
- Weather-proof device housing
- Connection option for battery pack provides buffer in the event of a power failure
- Accessories for extension, e.g. Memo (memory to 450 hand-held transmitter commands)
- Safety connections for example for safety contract strip, photo eye, electrical gate lock, warning light

TECHNICAL DATA

Radio system	SOMloq2
Temperature range	-25 °C to +65 °C
Nominal voltage	AC 220 - 240 V
Max. torque	320 Nm
Nominal frequency	50/60 Hz
Max. opening angle	105°
IP code	operator IP 67 control IP 65



Accessories for extension: e.g. battery pack (energy supply in the event of a power failure) or Memo (memory expansion)

1) Starting at 3 m leaf length and 300 kg gate weight, the use of active safety edges is required.

twist AM

For swing gates with a gate wing width of up to max. 2.5 m
and a gate wing weight of max. 250 kg



- Bi-directional SOMloq2 radio system
- Single- and dual-wing operation
- Control system and transformer integrated in operator (master)
- Certified restriction of closing forces acc. to EN 12445 by electronic motor monitoring
- Automatic closing function (semi-/fully-automatic, shortening after drive-through)
- High-quality DC gear motor with hall sensor
- Power saving (standby < 0,5 W)
- Mechanical emergency release, lockable
- The emergency release can also be triggered under full load (e.g. with pressure) with relatively low force
- For gates with large posts (up to approx. 60 x 60 cm)
- Weather-proof device housing
- Connection option for battery pack provides buffer in the event of a power failure
- Accessories for extension, e.g. Memo (memory to 450 hand-held transmitter commands)
- Connection cable for 2-leaf set included in delivery
- Safety connections for example for safety contract strip, photo eye, electrical gate lock, warning light


TECHNICAL DATA

Radio system	SOMloq2
Temperature range	-25 °C to +65 °C
Nominal voltage	AC 220 - 240 V
Max. torque	120 Nm
Nominal frequency	50/60 Hz
Angular velocity	approx. 11°/s
Max. opening angle	130°
IP code	IP44



Accessories for extension:
e.g. Memo (memory expansion)





SLIDING GATE OPERATORS:
ENSURING EFFORTLESS
MOTION AND
EXCELLING IN POWER
AND PERFORMANCE

15

NUMEROUS CONNECTION OPTIONS FOR MORE SECURITY AND ADDITIONAL FEATURES FOR ADDED CONVENIENCE ALSO AVAILABLE

The sliding gate operators are ideal both for residential properties and industrial door/gate systems. With a travel length of up to 20 m and a gate weight of 1200 kg, our solutions offer versatile usage options for a diverse range of requirements.

STArter

For sliding gates with a travel length of up to 6 m and a gate weight of 300 kg



16

- Fully automatic force memory assures a high level of security
- 24 V technology
- Can be configured for automatic closing and partial opening
- Tooth rack: plastic bonded steel rack ensures low-noise, maximum-stability gate motion
- Improved accident prevention by means of electronically regulated force measurement with DPS - Dynamic Power System
- Rust-proof housing made from aluminium and fibre-glass reinforced, weather-resistant plastic
- Maintenance-free operator with long service life
- Easily accessible emergency release
- Optional safety facilities can be integrated effortlessly, e.g. warning light, light barrier

TECHNICAL DATA

Radio system	Somloq Rollingcode
Temperature range	-20°C to +50°C
Nominal voltage	AC 220 - 240 V
Torque	max. 11 Nm
Nominal frequency	50/60 Hz
IP code	IP54
Opening velocity	max. 170 mm/s

STArter⁺

For sliding gates with a travel length of up to 8 m and a gate weight of 400 kg¹⁾



- Integrated evaluation for safety edges²⁾
- Chip tuning for even more power and higher speed³⁾
- 24 V technology
- Resistant, corrosion-resistant
- Can be configured for automatic closing and partial opening
- Tooth rack: plastic bonded steel rack ensures low-noise, maximum-stability gate motion
- The operator can be manually locked and unlocked in any position (e.g. in the event of a power failure)
- Improved accident prevention by means of electronically regulated force measurement with DPS – Dynamic Power System
- Rust-proof housing made from aluminium and fibre-glass reinforced, weather-resistant plastic
- Optional safety facilities can be integrated effortlessly, e.g. warning light, light barrier

TECHNICAL DATA

Radio system	Somloq Rollingcode
Temperature range	-20°C to +50°C
Nominal voltage	AC 220 - 240 V
Torque	max. 11 Nm
Nominal frequency	50/60 Hz
IP code	IP54
Opening velocity	max. 240 mm/s

17

1) must observe the standards and guidelines given in the declaration of incorporation, especially DIN EN 13241-1.

2) the use of active safety edges at the main and lateral edges are mandatory.

3) in comparison with STArter.

RUNner

For sliding gates with a travel length of up to 8 m and a gate weight of 600 kg



18

- Fully automatic force memory assures a high level of security
- Automatic recognition of safety edges and light barriers
- Can be configured for automatic closing and partial opening
- Frequency-modulated safe SOMMER Radio Control System
- Energy-saving toroidal transformer, good for the environment and your wallet
- Connection option for battery pack (in the event of power failure)
- Gate opening direction can be set with selection switch
- Improved accident prevention by means of electronically regulated force measurement with DPS – Dynamic Power System
- Rust-proof housing made from aluminium and fibre-glass reinforced, weather-resistant plastic
- Maintenance-free operator with long service life
- Easily accessible emergency release
- Optional safety facilities can be integrated effortlessly, e.g. warning light, light barrier

TECHNICAL DATA

Radio system	Somloq Rollingcode
Temperature range	-30°C to +50°C
Nominal voltage	AC 220 - 240 V
Torque	max. 20 Nm
Nominal frequency	50/60 Hz
IP code	IP54
Opening velocity	max. 210 mm/s

RUNner⁺

For sliding gates with a travel length of up to 12 m and a gate weight of 800 kg^{1) 2)}



- Automatic recognition of safety edges and light barriers
- Can be configured for automatic closing and partial opening
- Frequency-modulated safe SOMMER Radio Control System
- Energy-saving toroidal transformer, good for the environment and your wallet
- Connection option for battery pack (in the event of power failure)
- Gate opening direction can be set with selection switch
- Improved accident prevention by means of electronically regulated force measurement with DPS – Dynamic Power System
- Rust-proof housing made from aluminium and fibre-glass reinforced, weather-resistant plastic
- Maintenance-free operator with long service life
- Easily accessible emergency release
- Optional safety facilities can be integrated effortlessly, e.g. warning light, light barrier

TECHNICAL DATA

Radio system	Somloq Rollingcode
Temperature range	-30°C to +50°C
Nominal voltage	AC 220 - 240 V
Torque	max. 28 Nm
Nominal frequency	50/60 Hz
IP code	IP54
Opening velocity	max. 190 mm/s

19

1) must observe the standards and guidelines given in the declaration of incorporation, especially DIN EN 13241-1.

2) the use of active safety edges at the main and lateral edges are mandatory.

SP 900

For sliding gates with a travel length of up to 8 m and a gate weight of 400 kg




20

- Speed (max. 285 mm/s) and additional parameters can be adapted automatically to the gate sizes and gate weight
- One of our fastest sliding gate operators (subject to gate)
- Integrated electric lock ensures effective self-locking and break-in protection
- Suitable for gates with an inclination of up to 3.5%
- Can be configured for automatic closing
- Improved accident prevention by means of electronically regulated force measurement with DPS – Dynamic Power System
- Energy-saving toroidal transformer, good for the environment and your wallet
- Connection option for battery pack (in the event of power failure)
- Rigid construction thanks to real box profile; also ideal for high gate wings
- Optional safety facilities can be integrated effortlessly, e.g. warning light, light barrier

TECHNICAL DATA

Radio system	Somloq Rollingcode
Temperature range	-20°C to +60°C
Nominal voltage	AC 220 - 240 V
Torque	max. 10 Nm
Nominal frequency	50/60 Hz
IP code	IP44
Opening velocity	max. 285 mm/s



Maintenance-free with long service life

Gate opens quickly

Easily accessible emergency release

Gear-wheel with integrated damper protects gate mechanism

Wear-free, variable limit switch magnets with precision adjustment

Robustly designed for optimum gate motion and long service life

THE ROBUST, INVISIBLE, POST-INTERIOR SLIDING GATE OPERATOR:
ADDED FLEXIBILITY, ALSO SUITABLE FOR INDUSTRIAL DOOR/GATE SYSTEMS

SM 40 T

For sliding gates with a travel length of up to 12 m and a gate weight of 600 kg



22

- Reliable and robust operator with oil bath geared motor
- Control with numerous additional features, e.g. partial opening
- Maintenance-free operator with long service life
- Easily accessible emergency release
- Additional connection options, e.g. for emergency stop, warning light, light barrier and safety edges (only available with external evaluation unit)

TECHNICAL DATA

Radio system	Somloq Rollingcode
Temperature range	-20°C to +70°C
Nominal voltage	AC 230 V
Power	640 N
Nominal frequency	50 Hz
IP code	IP44
Opening velocity	max. 170 mm/s

DS 600 / DS 1200

For sliding gates with a travel length of up to 20 m and a gate weight of 1200 kg



3409V000

- Ideal for heavy gates, particularly if used on commercial sites
- Reliable and robust operator with high-performance geared motor
- Control with numerous additional features, e.g. dead man operation
- Maintenance-free operator with long service life
- Easily accessible emergency release
- Optional safety facilities can be integrated effortlessly, e.g. warning light, light barrier or electric lock

TECHNICAL DATA

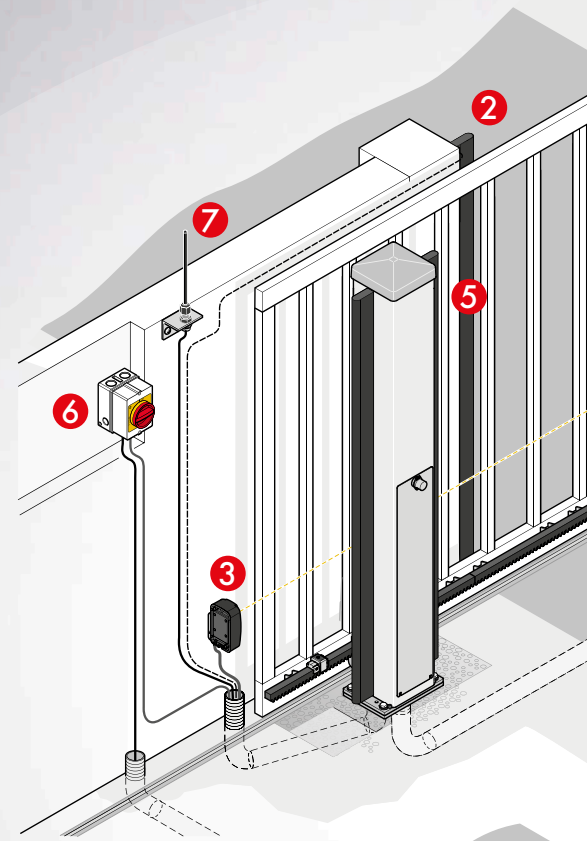
Radio system	Somloq Rollingcode
Temperature range	-20°C to +50°C
Nominal voltage	AC 400 V
Nominal frequency	50 Hz
IP code	IP44
Opening velocity	max. 220 mm/s

23



THE RIGHT ACCESSORIES FOR THE PERFECT GATE SYSTEM

24



SAFETY

1 Electric lock

For additional locking and protection from break-in

2 Rubber profile

Providing enhanced protection against getting trapped

3 Light barriers

Detecting obstacles when the beam of light is obstructed and preventing the gate from closing, they can be installed in a variety of scenarios and are even suitable for outdoor installation

4 Warning light

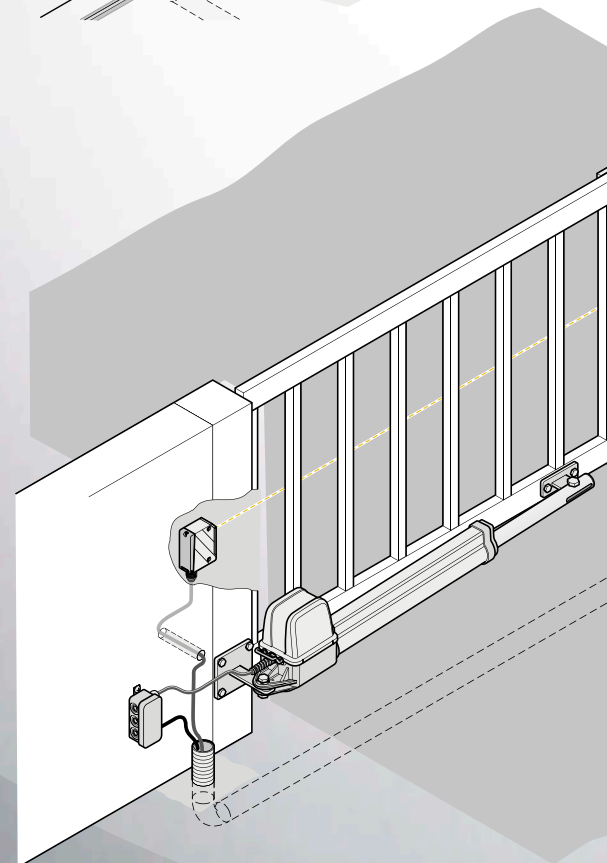
For additional optical hazard detection

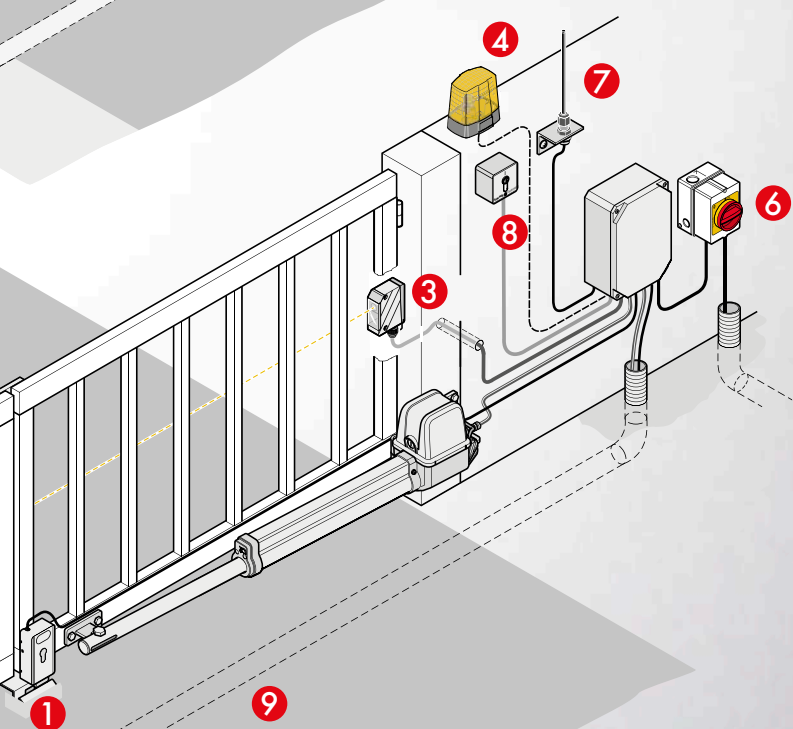
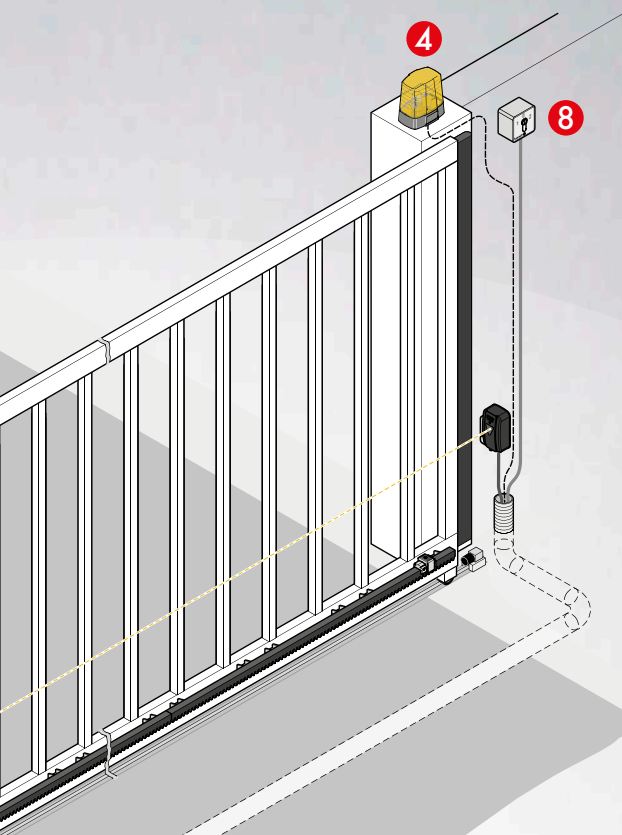
5 Active safety edge

Ensures personal safety and stops the gate motion

6 Main switch

Controls the complete gate system when disconnected from mains (e.g. during maintenance)





CONVENIENCE

7 Rod antenna

For ensuring a stable radio range

8 Key switch

Allows the gate system to be operated only by authorised persons with a key

9 Connecting cable set for twist 200 E/EL or twist XL

For connecting a second operator to the control unit housing

Attenuator for inclined gates

Ideal speed regulation for inclined gates; prevents the gate from rolling down an incline

Battery pack for twist UG, twist AM, RUNner, RUNner+ and SP 900

supplies energy to the operator for up to 12 hours for maximum 10 door cycles in the event of a power failure.

Memo for twist UG or twist AM

is used to expand the memory to 450 transmitter commands. If service is required, the saved transmitters can be easily moved to a new carriage.

RELIABILITY OF THE HIGHEST LEVEL

Gone are the times of opening and closing the garage door, awnings and the like by hand. Our two Somloq Rollingcode and SOMloq2 radio systems make this and many other functions easier than ever before. Both work with safe Rollingcode technology.

- Uses radio frequencies with short transmission periods for quick and fault-free radio commands.
- For optimum protection against code scanning and code grabbing to prevent access by unauthorised parties.

SOMloq2 builds seamlessly on Somloq Rollingcode: You don't have to exchange existing SOMMER drives. Expansion is enough to secure you even more advantages.

Somloq Rollingcode – for precise control

The Somloq Rollingcode radio system works on the basis of radio frequency FM 868.8 MHz.

- It sends very short radio signals that cannot be interrupted by transmitters which send long signals, such as baby monitors.
- FM stands for frequency modulation and lends our system even more transmission security. The good selectivity ensures that your control commands are reliably differentiated from other radio signals and can be implemented exactly.
- In addition to optimum transmission security, the Somloq Rollingcode provides you with even more protection against access and entrance by unauthorised persons.
- The 66-bit encryption makes 74 trillion codings possible.
- After every activation, Rollingcode changes the code. This makes code scanning and code grabbing by unauthorised persons pointless, since each code is only valid once.

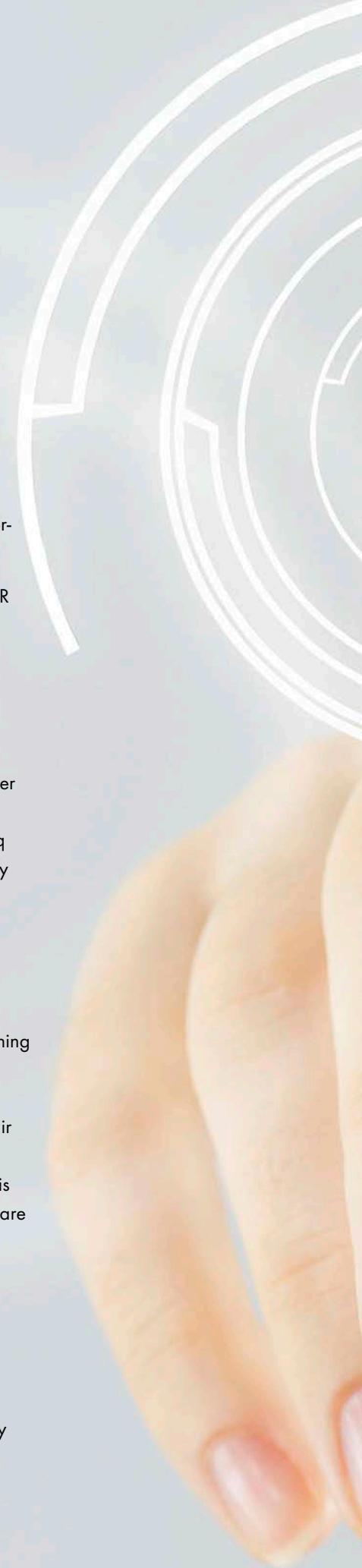
Quality and long life guaranteed!

In addition to our own Somloq Rollingcode and SOMloq2 in-house developments, we install only the highest quality components in our radio products. This makes both systems very durable and reliable even if temperatures fluctuate or the product is exposed to impacts and vibrations. Enjoy quality you can feel in every fingertip.

SOMloq2 – even more security & convenience

We have expanded the advantages of the Somloq Rollingcode radio system even further in our future-proof SOMloq2 radio system:

- You utilise the full functionality of Somloq Rollingcode and have even more security and convenience at hand.
- It is bidirectional and therefore reports whether the radio signals have arrived.
- Thanks to 128-bit AES encryption, the SOMloq2 is even more secure.
- Auto-repeat function for convenient opening while approaching the object.
- Query of the current status of your door directly from the couch or your deck chair in the garden.
- With innovative hop function, the range is extended even more since radio signals are forwarded from SOMloq2 receivers.





Controlling awnings



Controlling barrier systems



Controlling swing gates



Controlling garage doors



Controlling roller shutters



Controlling sliding doors



You can identify the SOMloq2 radio system from this mark.

IT'S IN YOUR HANDS

YOU WILL BE AMAZED BY WHAT CAN BE OPERATED BY RADIO TECHNOLOGY AND HOW MUCH CONVENIENCE YOU'LL GAIN

Our radio solutions allow you to have individual freedom over your own home automation systems in the garden or in the garage.

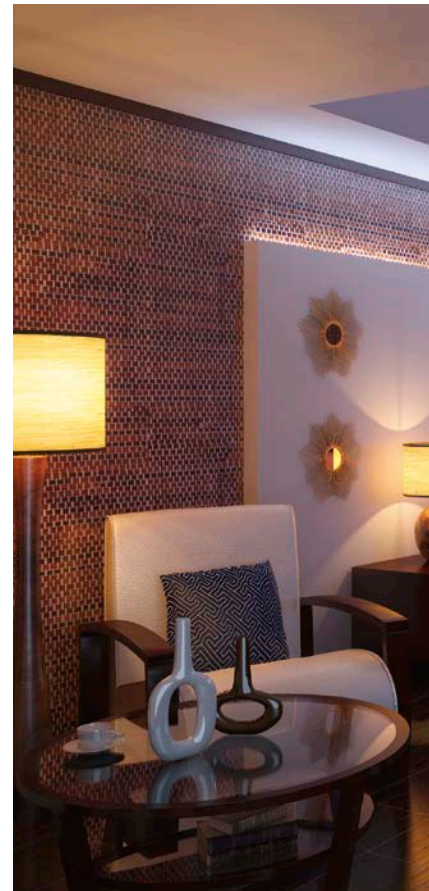
At SOMMER, security and convenience go hand in hand. Only when you have that peace of mind can you fully reap the benefits of our limitless radio options.

EASY CONVERSION AND RETRO-FITTING WITH RADIO RECEIVERS

28

Radio receiver

The radio receiver in the power outlet housing is well-suited for converting and retro-fitting door operators and the Somloq Rollingcode radio system.



Radio power socket

The radio power socket makes it possible to operate various applications and devices by radio, such as lamps or fountains, using your built-in radio receiver.



Transmitters

Whether a transmitter or Telecody, at SOMMER you'll find the right product tailored to suit your needs.



Access systems

With the biometric recognition feature of SOMMER fingerprint systems, you can open garage doors and yard gates with one gentle finger motion. The radio code switches allow you to open your garage doors and yard gates with an individually programmable digit code.



Radio wall switches

Your home automation applications, such as operators, blinds, roller shutters or awnings, can be operated conveniently at the push of a button using the indoor radio switches.



SECURITY ASSURED WITH THE PERFECT SOLUTION



30

- GARAGE DOOR OPERATORS
- UNDERGROUND PARKING
GARAGE DOOR OPERATORS
- SWING AND SLIDING GATE
OPERATORS
- RADIO TECHNOLOGY
- HOME AUTOMATION
- ACCESS CONTROL SYSTEMS





- ROLLER SHUTTER OPERATORS
- AWNING DRIVES
- ROLLER DOOR CONTROL UNITS
- INDUSTRIAL DOOR OPERATORS
- PARKING AND BLOCKING SYSTEMS
- ACCESSORIES



DE-EN #65028V001-11/16. Literal errors, errors and technical changes excepted.



SOMMER ANTRIEBS- UND FUNKTECHNIK GMBH
HANS-BÖCKLER-STR. 21-27 | D-73230 KIRCHHEIM/TECK
PHONE +49 70 21 8001-0 | FAX +49 70 21 8001-100
INFO@SOMMER.EU | WWW.SOMMER.EU



SOMMERGMBH



SOMMER_GMBH